

Welcome to my portfolio

# InfoTec

[www.illustrationx.com/jp/InfoTec](http://www.illustrationx.com/jp/InfoTec)



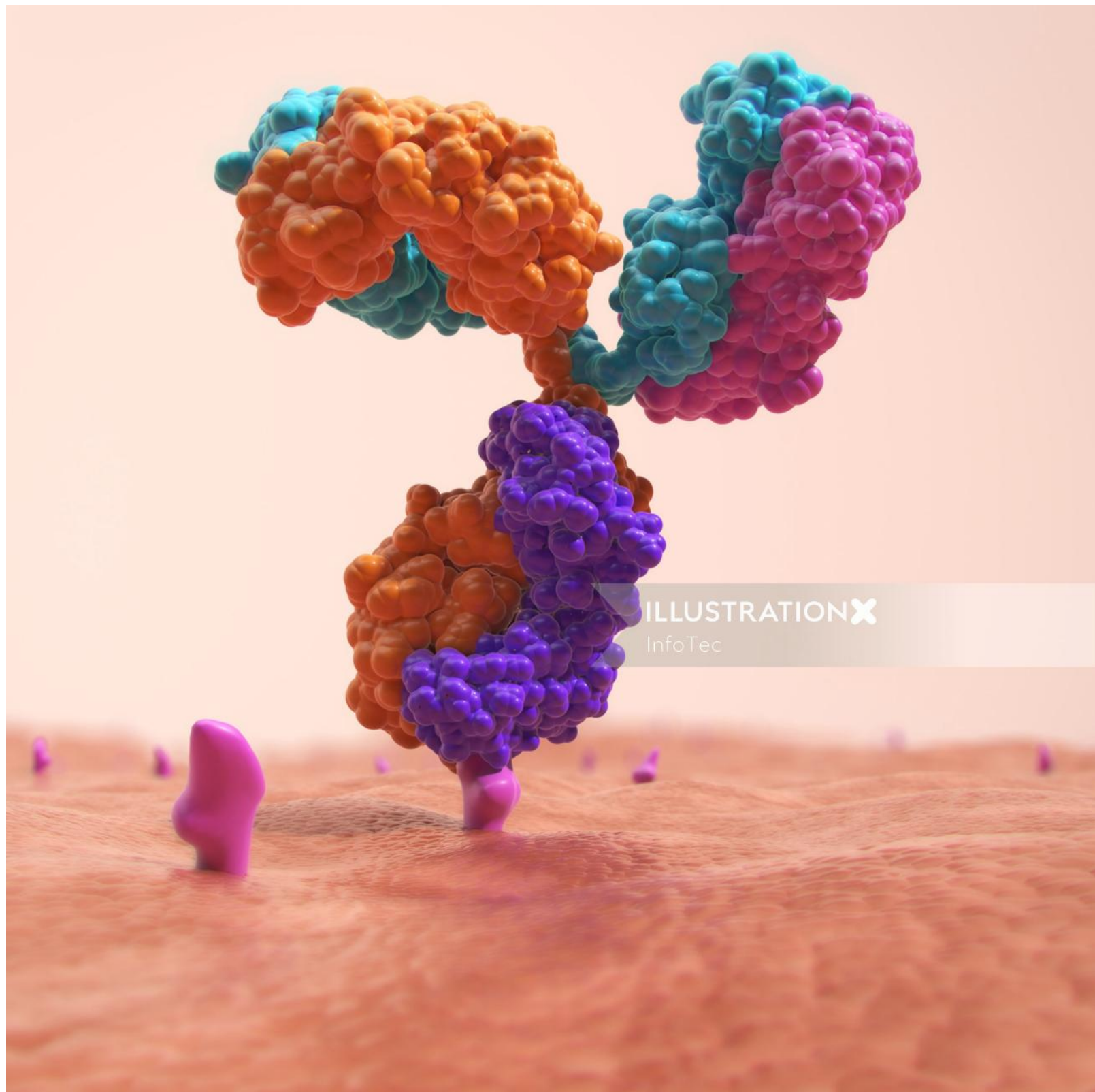
# InfoTec

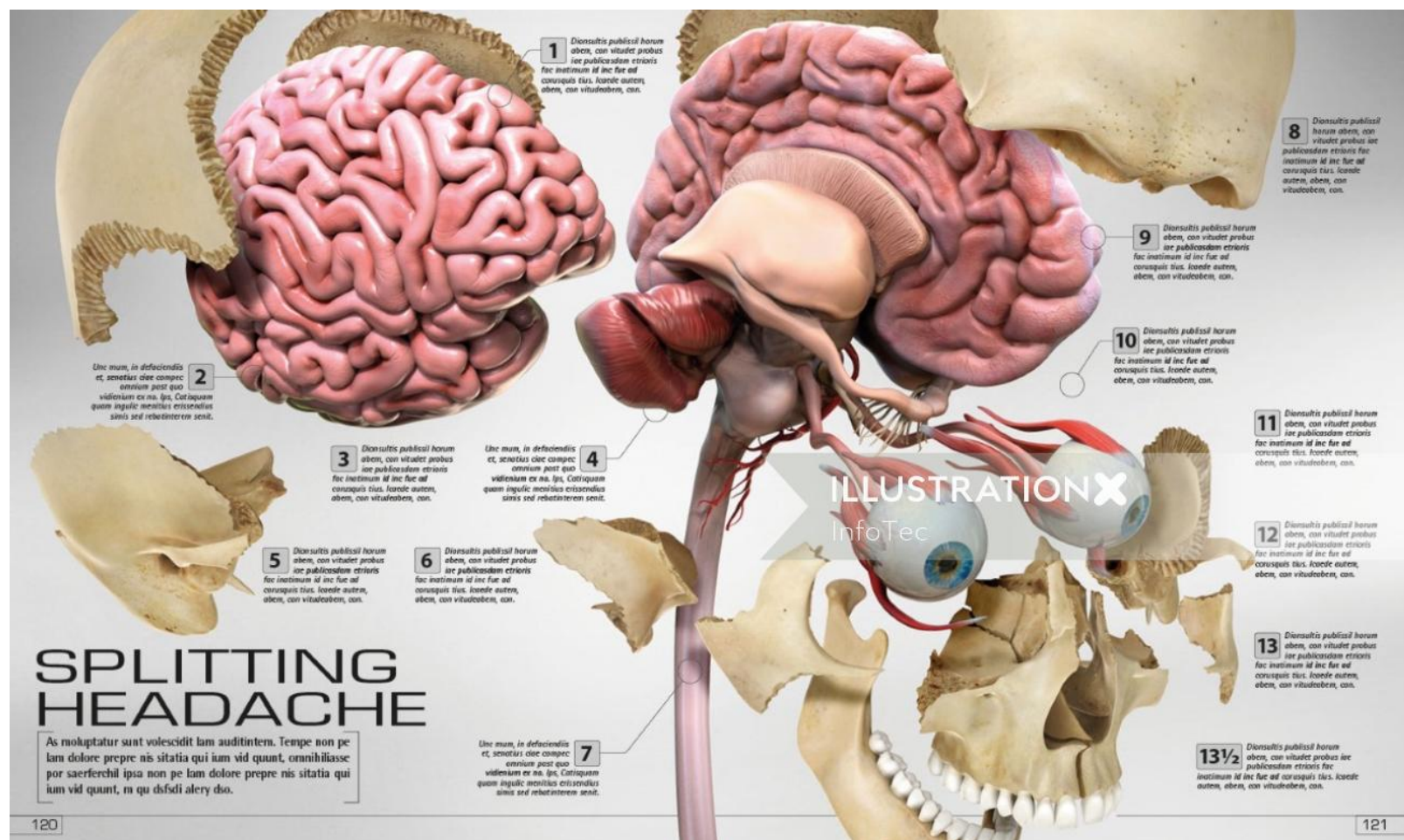
[www.illustrationx.com/jp/InfoTec](http://www.illustrationx.com/jp/InfoTec)



# InfoTec

[www.illustrationx.com/jp/InfoTec](http://www.illustrationx.com/jp/InfoTec)





# InfoTec

[www.illustrationx.com/jp/InfoTec](http://www.illustrationx.com/jp/InfoTec)



# InfoTec

[www.illustrationx.com/jp/InfoTec](http://www.illustrationx.com/jp/InfoTec)



# InfoTec

[www.illustrationx.com/jp/InfoTec](http://www.illustrationx.com/jp/InfoTec)



# InfoTec

[www.illustrationx.com/jp/InfoTec](http://www.illustrationx.com/jp/InfoTec)



ILLUSTRATION X  
InfoTec



# InfoTec

[www.illustrationx.com/jp/InfoTec](http://www.illustrationx.com/jp/InfoTec)



# InfoTec

[www.illustrationx.com/jp/InfoTec](http://www.illustrationx.com/jp/InfoTec)



GoPro

# InfoTec

[www.illustrationx.com/jp/InfoTec](http://www.illustrationx.com/jp/InfoTec)



# InfoTec

[www.illustrationx.com/jp/InfoTec](http://www.illustrationx.com/jp/InfoTec)



ILLUSTRATIONX  
InfoTec

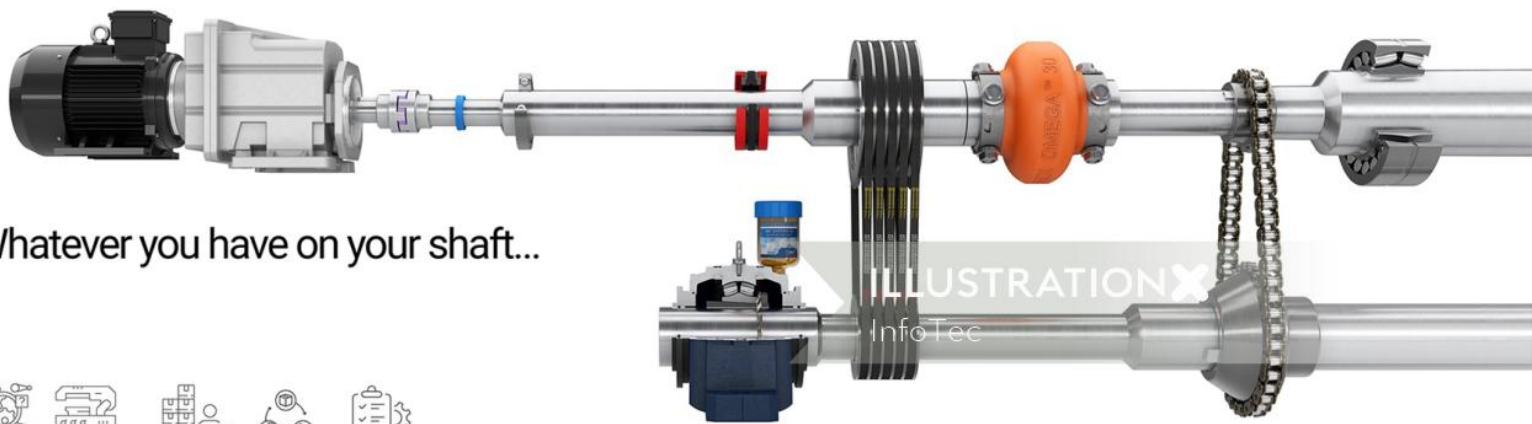
# InfoTec

[www.illustrationx.com/jp/InfoTec](http://www.illustrationx.com/jp/InfoTec)



# InfoTec

[www.illustrationx.com/jp/InfoTec](http://www.illustrationx.com/jp/InfoTec)



Whatever you have on your shaft...



# InfoTec

[www.illustrationx.com/jp/InfoTec](http://www.illustrationx.com/jp/InfoTec)



# InfoTec

[www.illustrationx.com/jp/InfoTec](http://www.illustrationx.com/jp/InfoTec)





# InfoTec

[www.illustrationx.com/jp/InfoTec](http://www.illustrationx.com/jp/InfoTec)



# InfoTec

[www.illustrationx.com/jp/InfoTec](http://www.illustrationx.com/jp/InfoTec)



# InfoTec

[www.illustrationx.com/jp/InfoTec](http://www.illustrationx.com/jp/InfoTec)



ILLUSTRATIONX  
InfoTec

# InfoTec

[www.illustrationx.com/jp/InfoTec](http://www.illustrationx.com/jp/InfoTec)



# InfoTec

[www.illustrationx.com/jp/InfoTec](http://www.illustrationx.com/jp/InfoTec)



# InfoTec

[www.illustrationx.com/jp/InfoTec](http://www.illustrationx.com/jp/InfoTec)



# InfoTec

[www.illustrationx.com/jp/InfoTec](http://www.illustrationx.com/jp/InfoTec)



# InfoTec

[www.illustrationx.com/jp/InfoTec](http://www.illustrationx.com/jp/InfoTec)





# InfoTec

[www.illustrationx.com/jp/InfoTec](http://www.illustrationx.com/jp/InfoTec)



# InfoTec

[www.illustrationx.com/jp/InfoTec](http://www.illustrationx.com/jp/InfoTec)



# InfoTec

[www.illustrationx.com/jp/InfoTec](http://www.illustrationx.com/jp/InfoTec)



# InfoTec

[www.illustrationx.com/jp/InfoTec](http://www.illustrationx.com/jp/InfoTec)



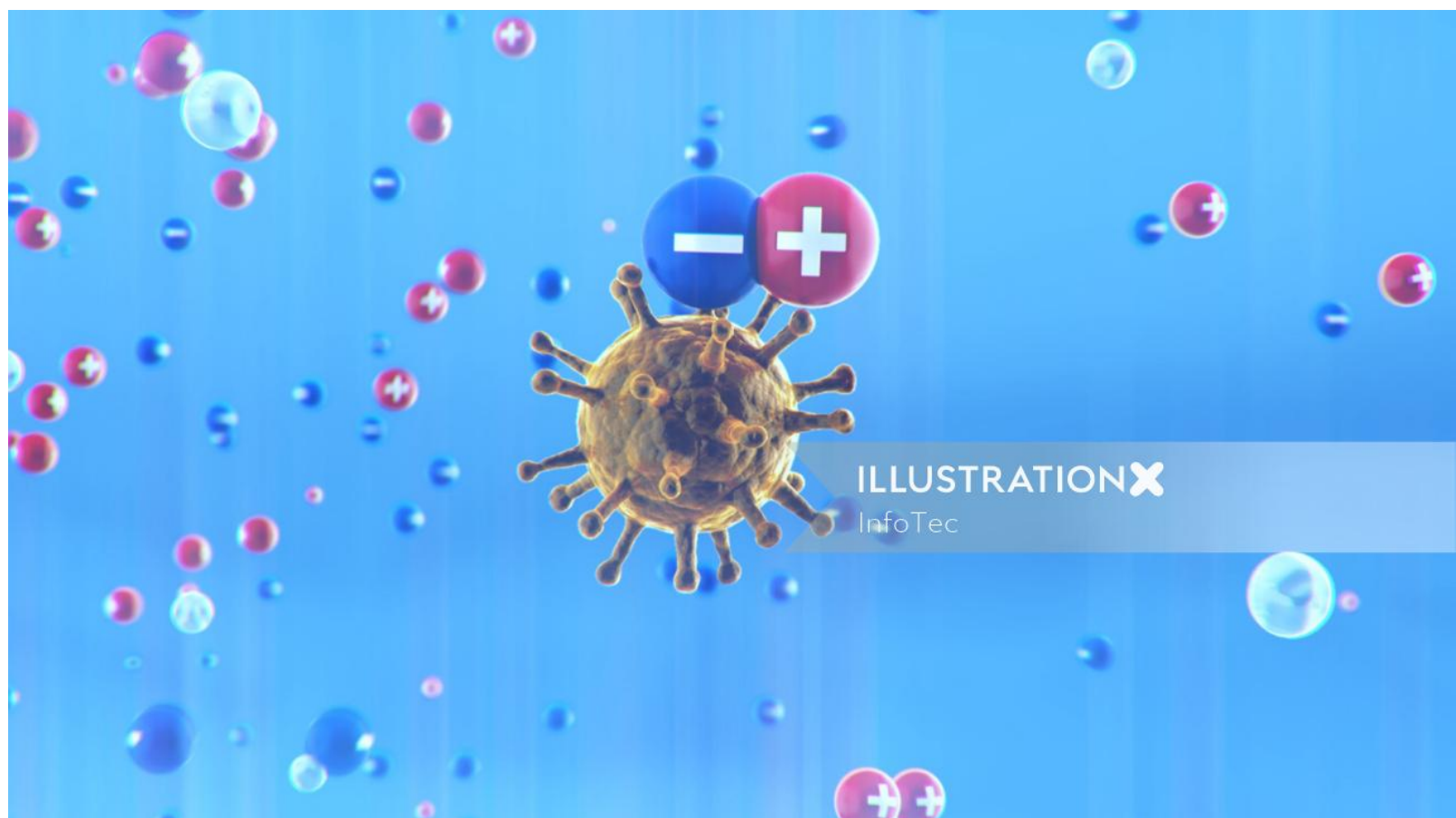
# InfoTec

[www.illustrationx.com/jp/InfoTec](http://www.illustrationx.com/jp/InfoTec)



# InfoTec

[www.illustrationx.com/jp/InfoTec](http://www.illustrationx.com/jp/InfoTec)



# InfoTec

[www.illustrationx.com/jp/InfoTec](http://www.illustrationx.com/jp/InfoTec)



# InfoTec

[www.illustrationx.com/jp/InfoTec](http://www.illustrationx.com/jp/InfoTec)





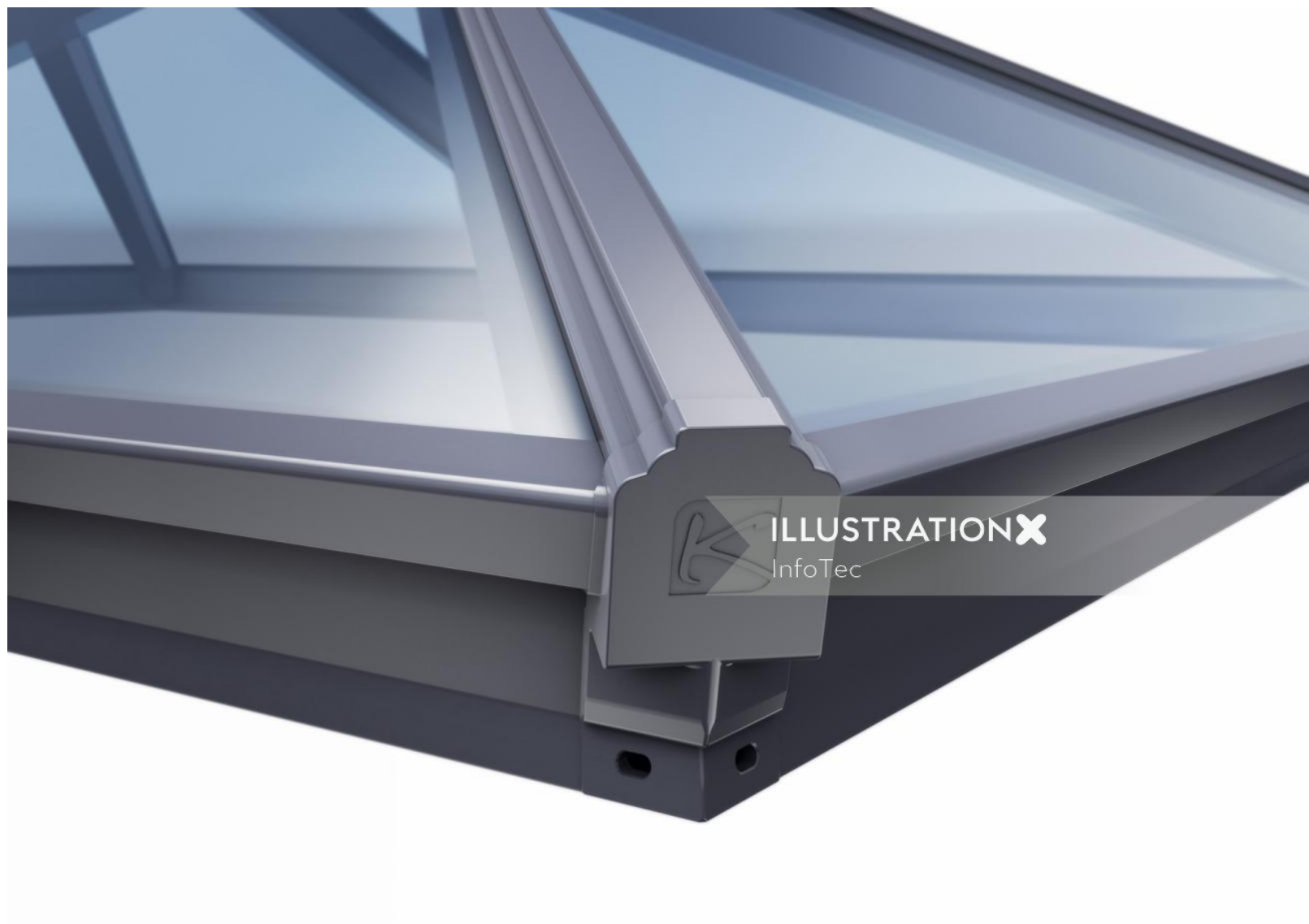
# InfoTec

[www.illustrationx.com/jp/InfoTec](http://www.illustrationx.com/jp/InfoTec)



# InfoTec

[www.illustrationx.com/jp/InfoTec](http://www.illustrationx.com/jp/InfoTec)



# InfoTec

[www.illustrationx.com/jp/InfoTec](http://www.illustrationx.com/jp/InfoTec)



# InfoTec

[www.illustrationx.com/jp/InfoTec](http://www.illustrationx.com/jp/InfoTec)



# InfoTec

[www.illustrationx.com/jp/InfoTec](http://www.illustrationx.com/jp/InfoTec)



ILLUSTRATIONX  
InfoTec

# InfoTec

[www.illustrationx.com/jp/InfoTec](http://www.illustrationx.com/jp/InfoTec)



# InfoTec

[www.illustrationx.com/jp/InfoTec](http://www.illustrationx.com/jp/InfoTec)



# InfoTec

[www.illustrationx.com/jp/InfoTec](http://www.illustrationx.com/jp/InfoTec)





# Need advice?

We're ready to help



[sea@illustrationx.com](mailto:sea@illustrationx.com)

+61 488 858 242

**ILLUSTRATION** 

Connecting You to a World of Illustration

[www.illustrationx.com/jp](http://www.illustrationx.com/jp)